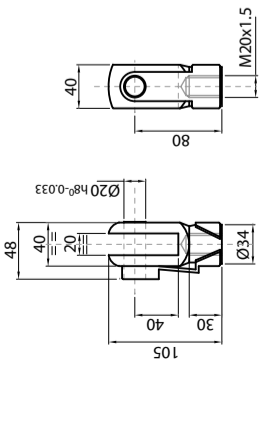
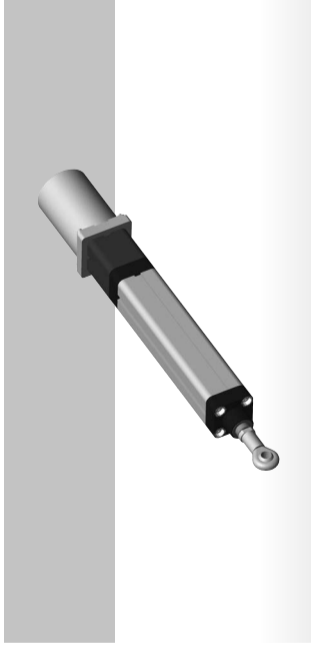
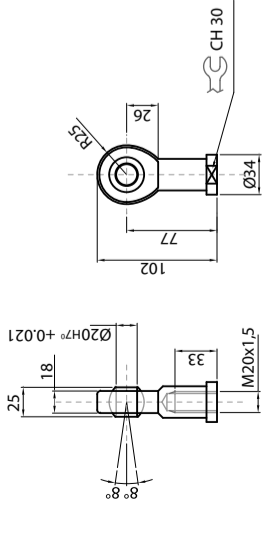


GSI 100HL

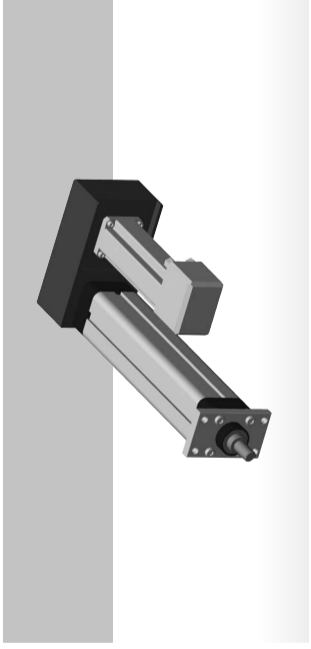
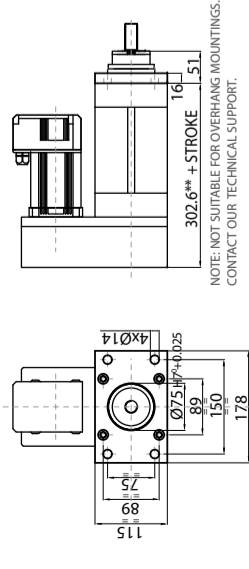
RC1 - ROD CLEVIS



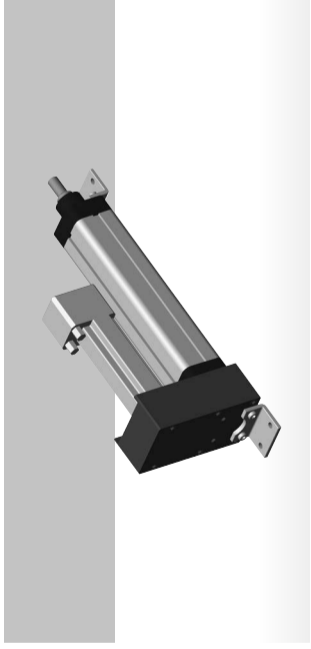
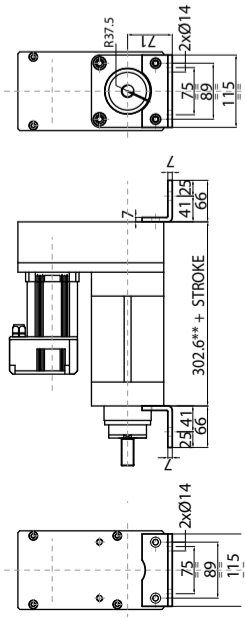
SR1 - SPHERICAL RODEYE



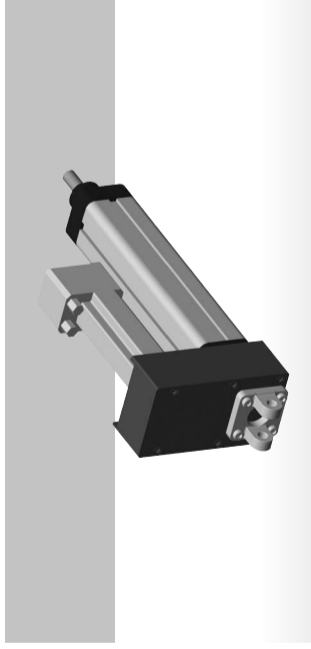
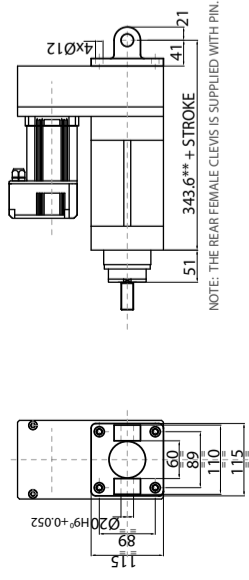
VF1 - VERTICAL FLANGE



AF1 - ANGLE FOOT



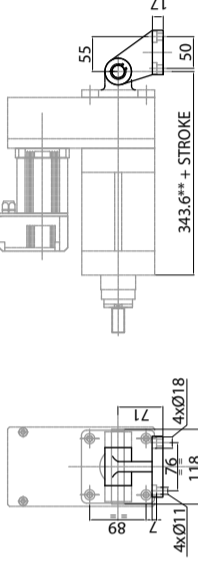
RCWP1 - REAR CLEVIS WITH PIN



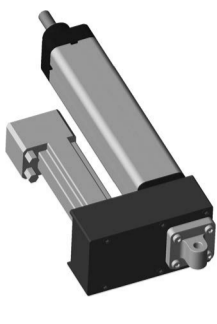
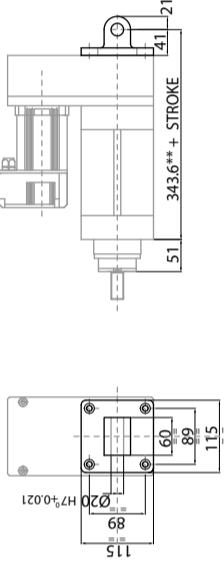
NOTE: THE REAR FEMALE CLEVIS IS SUPPLIED WITH PIN.

GSI 100HL

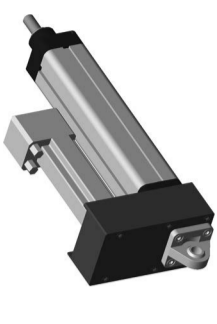
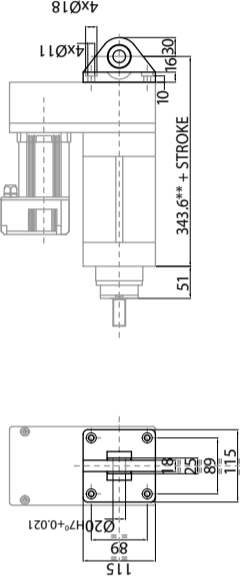
SHCC1 - SQUARE HORIZONTAL COUNTER CLEVIS



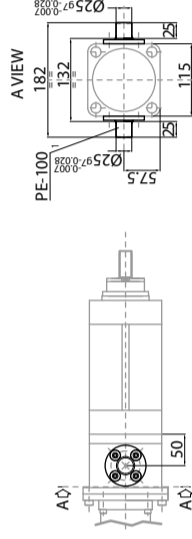
MC1 - MALE CLEVIS



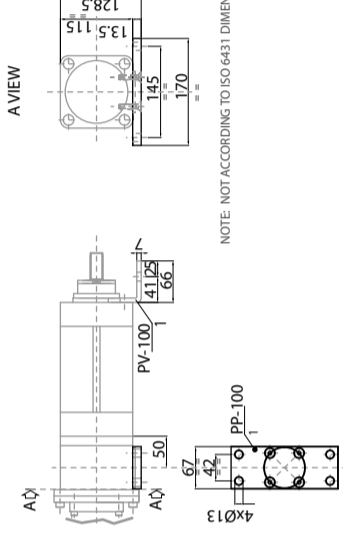
MCSK1 - MALE CLEVIS WITH SPHERICAL KNUCLE



SMP1 - SIDE MOUNTING PINS



RMF1 - REAR MOUNTING FLANGE



NOTE: NOT ACCORDING TO ISO 6431 DIMENSIONS.